

## 1. Introduction

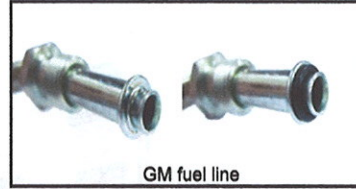
- This flaring kit includes various sizes of dies and adapters to work on flaring tube of GM fuel line, brake line, transmission line and A/C line.
- One 45 degree adapter is suitable for working a double flare.
- A big handle on the hydraulic pump helps save energy.
- The set is packed with a case for easier and safer storage for dies and adapters.



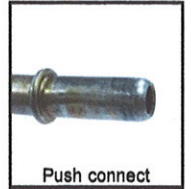
Metric bubble flare



45 degree double flare

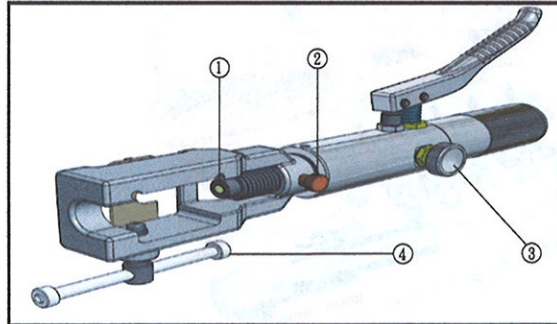


GM fuel line



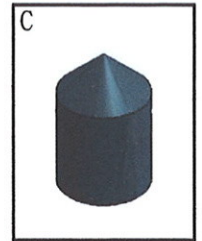
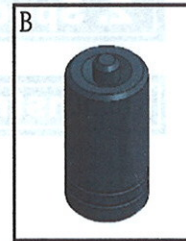
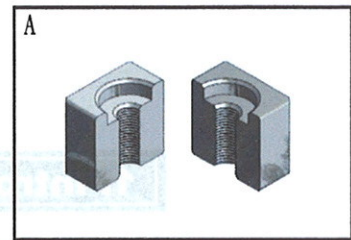
Push connect

## 2. Specification



1	Magnet
2	Golden screw
3	Release button
4	Tightening bar

	A. Flaring dies	B. Flaring adaptors
Metric bubble flaring	4mm (5/32")	
	6mm	
	8mm	
	10mm	
Double flaring	3/16" (4.75mm)	
	1/4"	
	5/16"	
	3/8"	
GM fuel line forming	1/2"	
	5/16"	
	3/8"	
Push-connect forming	1/4"	
	5/16"	
	3/8"	
C. 45 degree flaring adapter		



\* Please note that an adapter and the dies can form a pair, and the pair shares the same size.