

NEWS LETTER

WEEK
021

SUSPENSION

COIL SPRING COMPRESSOR FOR MULTI-LINK/WISHBONE SUSPENSIONS

GO 359

UNIVERSAL

**MAX LOAD
1500 KG**



Designed for professional and **safe compression of coil springs for wishbone** (wishbone) and multi-link (multi-link) suspension. Not suitable for conical and cylindrical helical springs.

- ✓ The inclination of the jaws adapts perfectly to the compression of the spring and guarantees **a secure grip**.
- ✓ The safety **dynamometric extension simplifies the positioning** of the tool on the spring and prevents its overload (Max torque 100Nm).

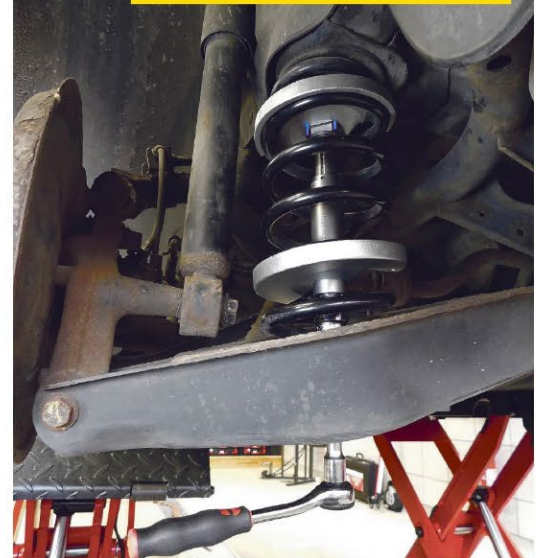
Application

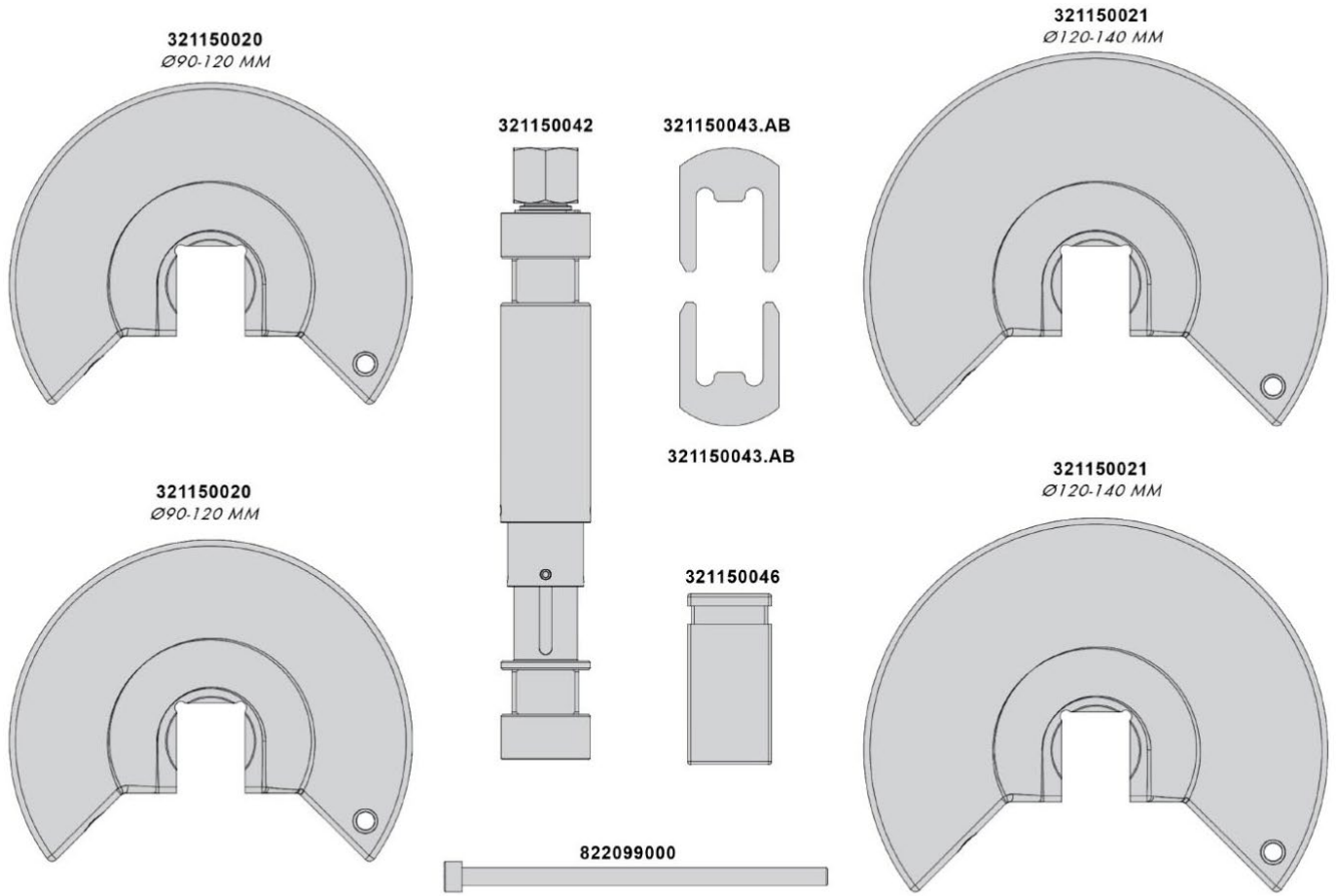
BMW, Citroën, Chevrolet, Chrysler, Ford, Honda, Hyundai, Kia, Mazda, Mitsubishi, Mercedes, Peugeot, Renault, Suzuki, Toyota, VAG (Skoda, Seat), Volvo etc.



COMPACT DESIGN

allows the tool being used on vehicles with a very small through hole on the rear spring holder, up to Ø30 mm!





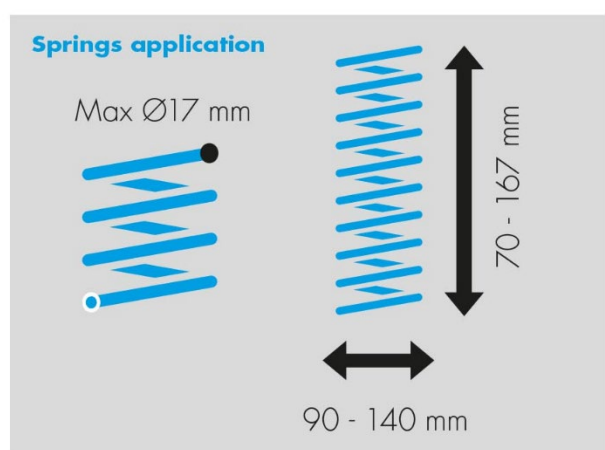
Components

- 2 x jaws type 1, Ø90-120 mm
- 2 x jaws type 2, Ø120-140 mm
- 1 x spring compressor
- 1 x 6x120 mm screw
- 2 x locking pin with magnet
- 4 x safety pin

CODE **359**

1 with 9 pcs.

6,7 Kg



Technical data	
Maximum load:	1500 Kg / 15000 N
Minimum distance between jaws:	min. 96mm - max 220mm
Maximum stroke:	124 mm
Dimensions body:	Ø29 - L = 225-280mm
Max torque:	100 Nm

The only set on the market capable of handling among others the following coil spring:

BRAND / MODEL	YEAR	FRONT / REAR
Citroen C1	2006-	Rear
Citroen C3	2003-	Rear
Kia picanto	2007-	Rear
Mitsubishi Colt	2007-	Rear
Peugeot 107, 207, 1007	2007-	Rear
Skoda Octavia	2001-	Rear
Skoda Roomster Scout	2008-	Rear
Suzuki Swift, SX4	2007-	Rear
Toyota Aygo	2007-	Rear
VW Touran	2003-	Rear

Others typical application:

BRAND / MODEL	YEAR	FRONT / REAR
BMW Serie 3 (E91)	2007-	Rear
Citroen C4	2006-	Rear
Mercedes Benz Classe C (W202)	1993-2000	Front
Honda Civic, Stream	2007-	Rear
Kia Ceed	2007-	Rear
Mazda 3	2003-	Rear
Mitsubishi Shogun, Pajero	2007-	Rear
Renault Traffic	2007-	Rear
Skoda Fabia	2007-	Rear
Toyota Yaris	2007-	Rear
Volvo V70	2007-	Rear
VW Polo	2007-	Rear